



# EasyMobile



## General characteristics

- Nominal content: 40, 60, 80 or 100 litre
- Kettle bowl in acid resistant steel, all other parts in stainless steel
- Mobile underframe with two fixed castors and two castors with directional lock
- Fully welded, insulated kettle body with a volume scale inside the kettle
- Working pressure: 1,0 bar
- Max. steam temperature: 120° C
- Electrically heated
- Base plate with seals inside the outer jacket of the kettle
- Integrated isolator switch
- Pressure gauge
- Tilting height: See technical data
- Unheated top for lower energy waste and better comfort
- Hinged easy open/close lid with ergonomic lid arm
- Lid made from stainless steel
- Maximum temperature on the outside of the kettle bowl after 3 hours cooking: <40°C
- Working height: 950 mm
- Small quantity of water in the steam generator – for quick heating, low energy waste and short reaction times
- Heating elements at the front of the kettle - no heating elements above water level - prevents overheating and prolongs kettle's lifetime
- Electrically heated kettles have automatic filling of water in the steam generator

## Control AutoTemp 02

- Electronic heat control with turning knob
- Water filling into the kettle with cold water dispenser
- Automatic water filling into the steam generator when water level is low
- Indicator light for kettle in use
- Indicator light to indicate excessive pressure in the kettle / overheating of heating elements

## Control AutoTemp 32 (optional)

- Electronic control of the jacket temperature
- Timer for cooking time/hour
- Clock
- Electronic water flow meter with dripfree sprout
- Access code can be selected
- Two sets of arrow keys for fast, precise setting
- Temperature unit: Celsius or Fahrenheit
- Quantity unit: Litre, UK gallon or US gallon

## Other options

- Connection for manual chilling using water from the mains supply
- Drain valve/ Butterfly valve
- Rotatable lid
- Spray gun

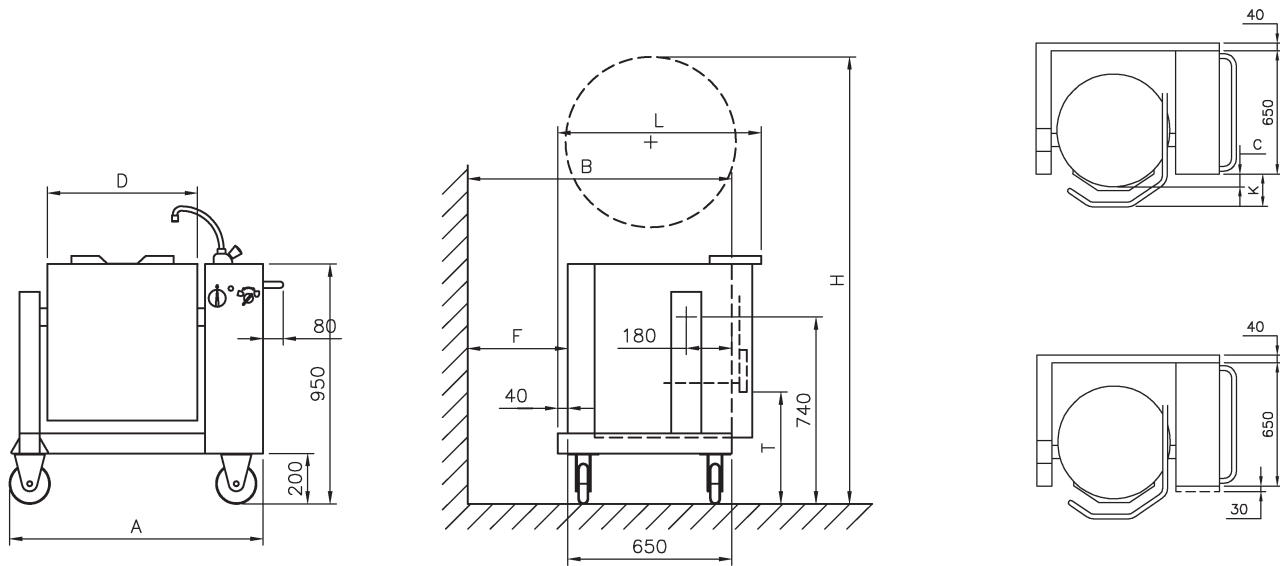
## Extra accessories

- Sieve plate
- Pouring plate
- Measuring rod
- Pouring assistent
- Trolley

## Variants

- 3x230V, 3x440V

# EasyMobile



Type	A [mm]	B [mm]	C [mm]	D [mm]	F [mm]	H [mm]	K [mm]	L [mm]	T [mm]	Nom/Brim volume [liter]
EasyMobile 40	956	750	43	546	100	1778	178	753	497	40/48
EasyMobile 60	1005	774	68	595	124	1829	203	778	473	60/70
EasyMobile 80	1035	829	83	625	179	1850	218	793	458	80/91
EasyMobile 100	1085	860	108	675	210	1880	243	818	433	100/113

**Data for standard connection to 3~400V**

For connection to other voltages, see technical data

Type	Weight* [kg]	Electric		
		Rated power [kW]	Current consumption [A]	Time to boil 10-90 °C [ca. min]
EasyMobile 40	147	15	3x22	15
EasyMobile 60	159	15	3x22	23
EasyMobile 80	170	15	3x22	30
EasyMobile 100	181	20	3x29	28

\* The exact weight depends on the equipment and accessories chosen

Drawing and mounting can not be made from these data alone. Further measurements, other voltages and connections and information about electrics, water, steam, compressed air and special conditions regarding leakage current is available in the complete technical data which can be ordered at sales@joeni.dk