





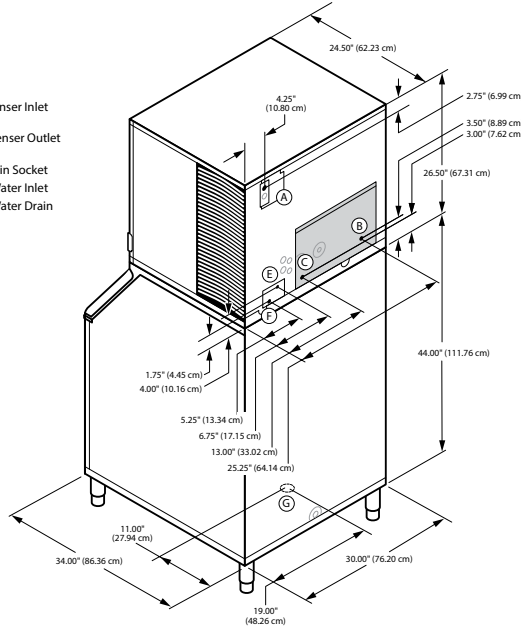
# 50Hz

## iF-900 on D-570 Storage Bin

- (A) Electrical Entrance (2) Options
- (B) 3/8" (0.95 cm) F.P.T. Water Condenser Inlet (water-cooled units)
- (C) 1/2" (1.27 cm) F.P.T. Water Condenser Outlet (water-cooled units)
- (D) 1/2" (1.27 cm) Auxillary Base Drain Socket
- (E) 3/8" (0.95 cm) F.P.T. Ice Making Water Inlet
- (F) 1/2" (1.27 cm) F.P.T. Ice Making Water Drain
- (G) 3/4" (1.91 cm) Bin Drain

**Installation Note**  
Minimum installation clearance:

Top/sides: 8" (20.32 cm); Back is 5" (12.7 cm)



## Space-Saving Designs



	iF-900 D-570	iF-900 D-970
Height	76.50" 194.30 cm	76.50" 194.30 cm
Width	30.00" 76.20 cm	30.00" 76.20 cm
Depth	34.00" 86.30 cm	34.00" 86.30 cm
Bin Storage	365 lbs. 165.7 kgs	543 lbs. 241.1 kgs

Height includes adjustable bin legs 6.00" to 8.00", (15.24 to 20.32 cm) set at 6.00" (15.24 cm).  
Bin capacity is based on 90% of the volume x 33 lbs/ft<sup>3</sup> average density of ice

## Specifications

Model	Ice Shape	Ice Production 24 Hours				Power Usage kWh/ 45.4 kgs /100 lbs. @ 32°Air / 21°C Water 90°Air/70°F Water	Water Usage/100 lbs. 45.4 kgs. of Ice	
		21°Air / 10°C water 70°Air/ 50°F Water	32°Air / 21°C Water 90°Air/ 70°F Water	1 Ph	Potable Water			
<b>AIR-COOLED</b>	IRF-0900A	regular	765 lbs 347 kg	615 lbs 279 kg	5.33	19 Gal.	71.9 L	
	IDF-0900A	dice	840 lbs 381 kg	640 lbs 290 kg	5.10	19 Gal.	71.9 L	
	IYF-0900A	half-dice	865 lbs 392 kg	680 lbs 308 kg	5.02	19 Gal.	71.9 L	
<b>WATER-COOLED</b>	IRF-0900W	regular	745 lbs 338 kg	660 lbs 299 kg	4.32	19 Gal.	71.9 L	
	* Water-cooled Condenser Water Usage / 100 lbs. /45.4 kgs. Of Ice: 145 gal / 549 L .							
<b>REMOTE-COOLED</b>	IDF-0900N	dice	790 lbs 358 kg	700 lbs 318 kg	4.91	19 Gal.	71.9 L	
	IYF-0900N	half-dice	825 lbs 374 kg	700 lbs 318 kg	4.91	19 Gal.	71.9 L	

Order ice storage bin separately. Ice storage bin and JCF900 remote condenser must be ordered separately. Consult remote condenser specification sheet for details.  
This product is hermetically sealed and contains fluorinated greenhouse gas R404A

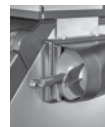
## Accessories

**LuminIce® II Growth Inhibitor**  
reduces yeast and bacteria growth for a cleaner ice machine.



### External Scoop holder

Protect the ice scoop with the NSF approved versatile scoop holder.



### Arctic Pure® Water Filters

Reduces sediment and chlorine odors for better tasting ice.



iF0900 Ice Cube Machine

Welbilt reserves the right to make changes to the design or specifications without prior notice.

**Welbilt Deutschland GmbH**  
Auf der Weih 11  
D - 35745 Herborn, Germany  
Tel.: +49 27 72 58 050  
welbilt.com.de

**Welbilt Iberia, S.A.U**  
Textil, 6 - Pol.Ind. La Ferreria - 08110  
Montcada i Reixac  
Barcelona, Spain  
Tel.: +34 902 20 10 69  
welbilt.com.es

**Welbilt UK**  
Ashbourne HouseThe Guildway,  
Old Portsmouth RdGuildford GU3  
1LRUnited KingdomTel.:  
+44 1483 464900  
www.welbilt.uk

